
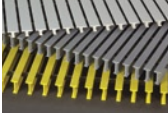
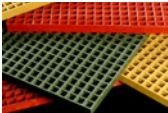


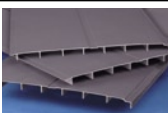
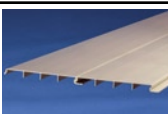

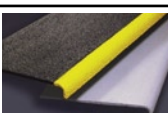


STRONGWELL®

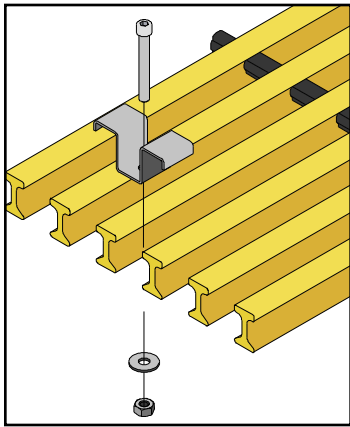
Fasteners Available for Strongwell Decking Products

		Saddle	M-Clip	Insert Clip	J-Clip	C-Clip	Surface Mounted	Single-G	Double-G	Hilti Shot-Stud	Panel Connector	Countersunk	1/4" Self-Tapping	Slotted Carriage
DURADEK® Pultruded Grating		✓		✓			✓	✓	✓	✓	✓			
DURAGRID® Pultruded Grating		✓		✓			✓	✓	✓	✓	✓			
DURAGRATE® Molded Grating		✓	✓		✓	✓	✓	✓	✓	✓				
DURAGRATE® Molded Grating (3/4" Mesh)							✓							
SAFPLANK® Decking				✓			✓							
SAFDECK® Decking													✓	✓
STRONGDEK™ Decking													✓	
SAFPLATE® Gritted Plate							✓					✓		
DURATREAD™ Tread Covers							✓					✓		

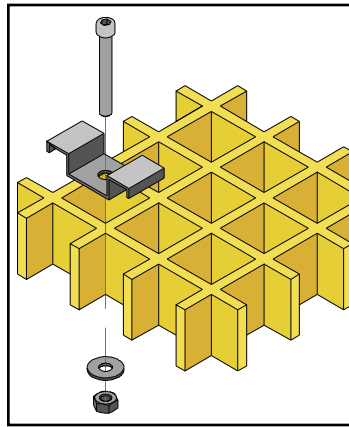
The chart above refers to the preferred fasteners for Strongwell's decking products, however other attachment methods may be used. The fasteners listed can be viewed on the back of this flyer.

Typically, all fasteners used on Strongwell's decking products are 316 Stainless Steel. However, some of the hold downs listed above can be supplied using other material.

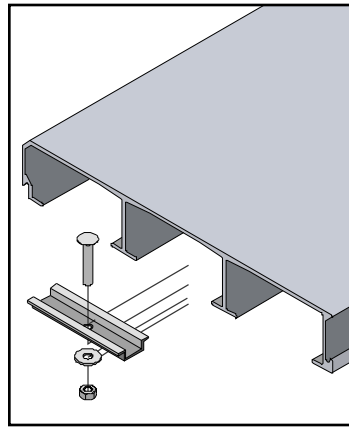
For more information about our decking products, visit www.strongwell.com.



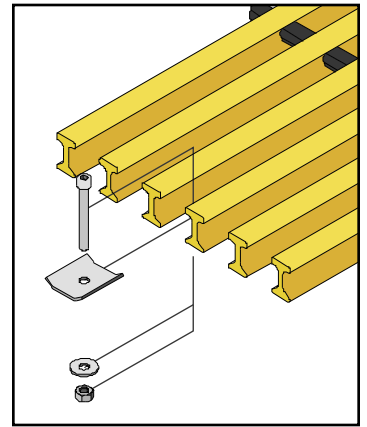
Saddle



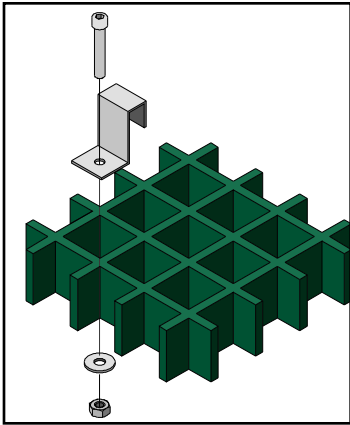
M-Clip



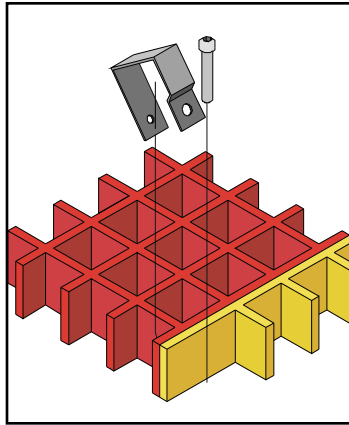
Insert Clip (Decking)



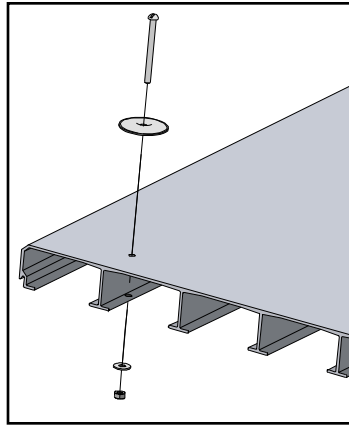
Insert Clip (Grating)



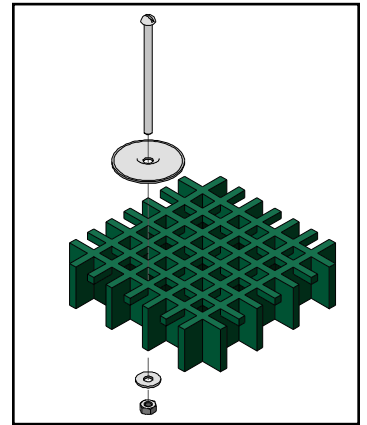
J-Clip



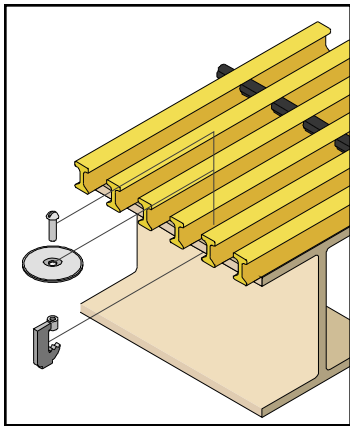
C-Clip



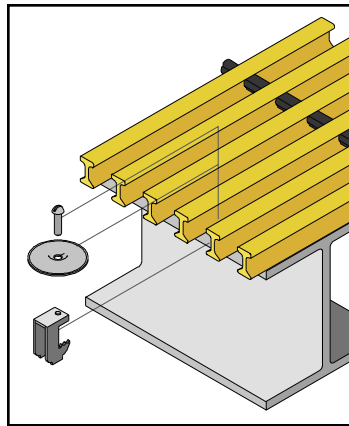
Surface Mounted (Decking)



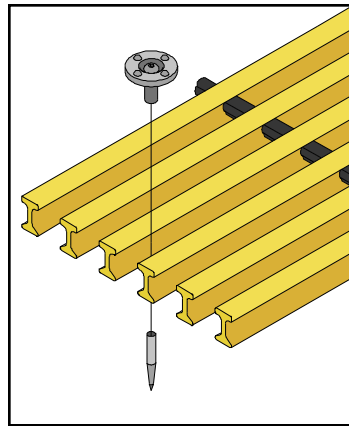
Surface Mounted (Grating)



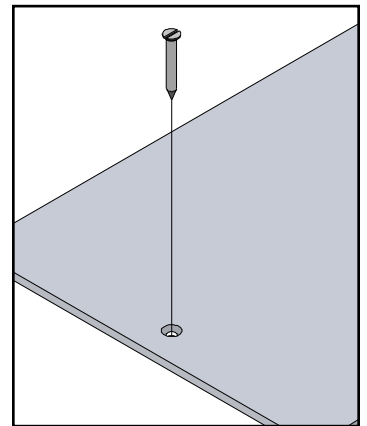
Single-G



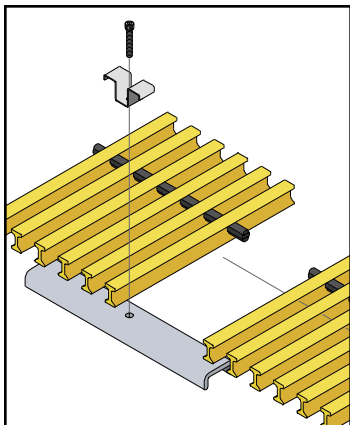
Double-G



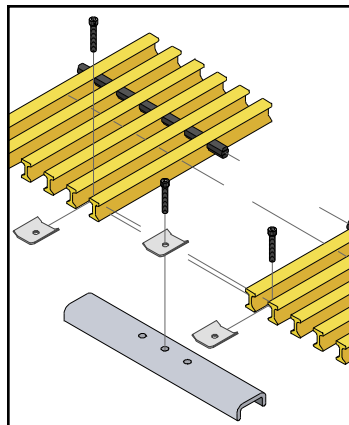
Hilti Shot-Stud



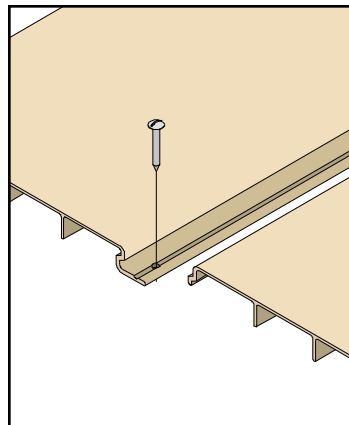
Countersunk



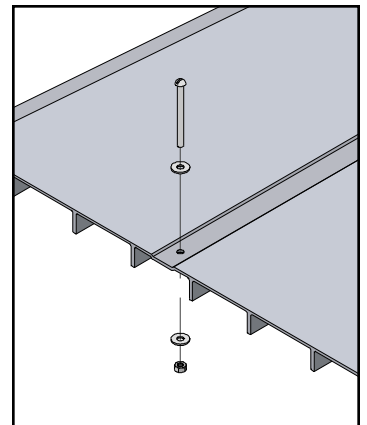
Panel Connector



Panel Connector



1/4" Pointed



Slotted Carriage

